

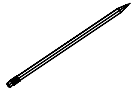
THANKS!

Thank you for purchasing this Croydex toilet seat which uses the Sit Tight™ hinge fixing system. Please follow the fixing and care instructions to ensure that your toilet seat is fitted safely and that it retains its high quality finish. Please retain this leaflet for future reference.

Tools Required - not supplied

Pencil.

KEEP DIY TOOLS OUT OF REACH OF CHILDREN



Soft Close Sit Tight™ Toilet Seat Fixing System

Before You Start

- To prevent dropping small parts into the toilet whilst fitting the Sit Tight™ hinge system, stretch a piece of cling film over the rim of the toilet to cover the bowl and remove after installation.
- Does your seat fit your pan? Try our Toilet Seat Compatibility Spreadsheet available at www.croydex.com

Home Safety Advice

- Do not use power screwdrivers to assemble this product.
- Do not strike the product with hard or sharp objects.
- Do not stand on the lid or the seat.
- For best performance allow seat to close under its own weight.

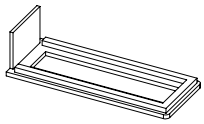
Important Adhesive Information - Read before fitting

- When removing old seat remove any debris and clean pan thoroughly.
- Thoroughly clean and dry the surface of the toilet pan where the hinge is to be fitted to remove any dirt, limescale residue or contamination that may reduce the performance of the adhesive.
- The bonded hinge components can be easily removed from the toilet pan if required by twisting them in an anti-clockwise direction.
- Any adhesive residue can be removed by carefully scraping the surface of the toilet pan with a blunt tool.
- Be careful not to over-tighten your hinge on installation as this can cause high stress on your hinge.

Product Care

- To retain the best quality finish, clean product with a soft cloth and a mild soap solution.
- Take care when cleaning the toilet pan with chemical cleaners. Avoid contact of the chemical cleaners with the toilet seat or hinges. Immediately rinse off any splashes to avoid damage or discolouration of the surface of the toilet seat, or corrosion of the metal and plated parts.
- **Do not use abrasive or chemical cleaners as they may damage the Toilet Seat or Hinges.**

Parts for the Soft Close Fixing



A. Grip Gasket
x2



B. Grip Washer
x2



C. Locking Component
x2



D. Threaded Stud
x2



E. Tapered Plastic Washer
x2



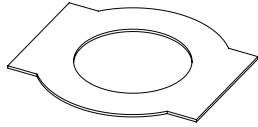
F. Metal Washer
x2



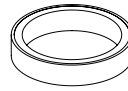
G. Hexagonal Nut
x2



H. Adhesive Tube
x1



I. Card Template
x2



J. Adhesive Tape Roll
x1



K. Plastic Key
x1

Hinge re-assembly if seperated from the toilet seat - To correctly assemble the left and right hand hinges, turn the seat upside down and place on the floor in the orientation shown in **Fig.1** so that the hinges will be furthest away from you.

Then place the hinge body with the red sticky label marked "L" into the left hinge hole and repeat for the other hinge body marked with a green sticky label marked "R" and place into the right hinge hole.

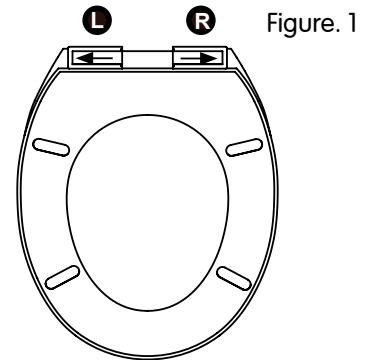


Figure. 1

Instructions to install Soft Close Fixing

Note: Some images shown for reference only.

1. Slide Fixing Bolt into Grip Washer

Slide a fixing bolt into each grip washer until the square shape on the underside of the top of the bolt is located in the slot on the grip washer.

Fig. A



Figure. B

2. Slide Bolt and Washer into the Hinge Body

Turn the toilet seat upside-down and slide the grip washer and fixing bolt assembly into the channel on each hinge body.

Fig. B



Figure. C

3. Fit each of the Grip Gasket

Next fit a grip gasket to each hinge body by placing the grip gasket over the fixing bolt and sliding onto the underside of the hinge body as shown.

Fig. C



4. Place Card Template over fixing holes

Ensure the ceramic surfaces are dry, then place a card template over each fixing hole on the toilet pan.

Fig. D

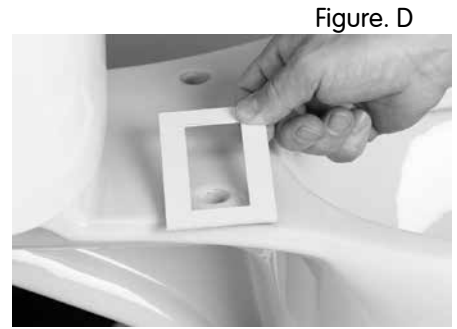


Figure. D

5. Insert Seat into Fixing Holes

Then place the toilet seat onto the toilet pan locating each of the fixing bolts through the holes on the pan, and the hinge bodies within the holes on the card templates.

Fig. E

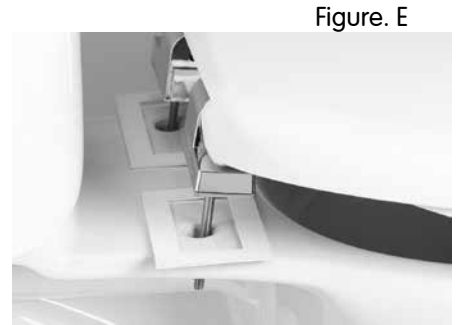


Figure. E

6. Align Seat and Secure Templates

Align the toilet seat with the toilet pan. **Ensure the seat is far enough forward to allow the lid to stay upright when lifted.** When the seat is in the correct position make sure both hinges are flat on the pan and square to one another, then stick both card templates in position using the adhesive tape provided.

Fig. F



Figure. F

N.B. It may be necessary to first fit the toilet seat using the supplied nuts and washers, without using the adhesives or locking component to ensure that the soft close hinges sit on the toilet pan squarely to allow the templates to be fixed in their correct positions.

7. Carefully Remove Seat Leaving Templates

Carefully remove the toilet seat from the pan leaving the templates in position.



Figure. G

8. Insert Grip Gaskets and Locking Components

Place the grip gaskets into the boundaries of each template so that the upright portion of the grip gasket points inwards towards the centre. Then peel off the protective backing from the adhesive tape on the underside of the locking component (**Fig. G**) and firmly push each locking component into the rectangular space on the inside of the grip gasket to allow the adhesive tape to stick to the top of the toilet pan. **Fig. H**



Figure. H

9. Carefully remove Card Templates

Carefully remove both card templates ensuring that the locking components are not disturbed and remain fully adhered to the toilet pan.

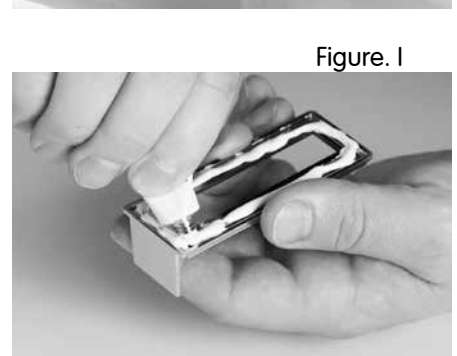


Figure. I

10. Apply Glue! Half to each Component

Take one grip gasket (leave the other on its locking component so they do not get mixed up) and apply the contents of one tube of the supplied adhesive to the channel on the underside ensuring a thick even coverage.

Fig. I

11. Place Grip Gasket onto Locking Component

Place the grip gasket back onto its locking component making sure that the upright portion of the grip gasket still points inwards towards the centre and push down to fully seat it onto the toilet pan. Carefully clean up any excess adhesive residue which may have been forced out around the sides of the fitted grip gasket taking care to not disturb the position of the grip gasket and locking components.

Fig. J



Figure. J

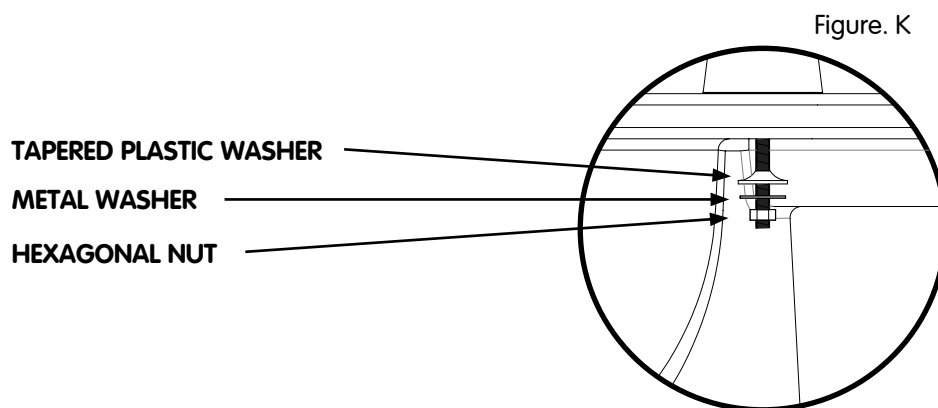


Figure. K

12. Repeat 10 & 11

13. Insert Toilet Seat guiding onto Fixing Bolts

With the left and right hinge bodies still attached to the toilet seat, locate the hinge bodies over each grip gasket and place the toilet seat back onto the toilet pan whilst guiding the ends of the two fixing bolts through the locking component into the two visible holes on the toilet pan.

N.B. It may be necessary to manipulate each hinge body so that the hinge body base is parallel to the top face of the grip gaskets to prevent the grip gaskets from twisting during the final fix of the toilet seat.)



Figure. L

14. Insert Toilet Seat

Assemble a tapered plastic washer, metal washer and hexagonal nut onto the exposed end of each fixing bolt as shown in **Fig. K** and tighten the nuts using the plastic key provided. **Be careful not to over-tighten. Fig. L**

For details of the other items in the Croydex range please visit our website: www.croydex.com

Croydex Limited, Central Way, Andover, Hampshire, SP10 5AW, UK
Tel: +44 (0) 1264 365881 Fax: +44 (0) 1264 356437
E-mail: info@croydex.co.uk